



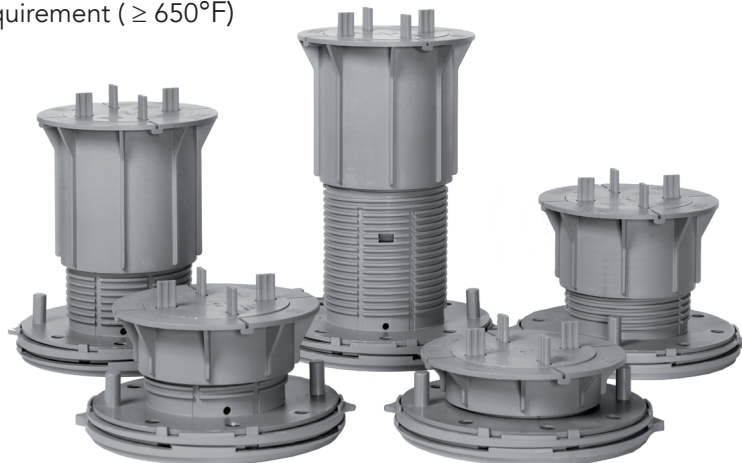
**VERSADJUST FR**  
Fire Retardant Adjustable Pedestals

## SAFETY AND STABILITY

November 2020

### VERSADJUST FR ADJUSTABLE PEDESTALS

- Bison's self-extinguishing Versadjust Fire Retardant (FR) Pedestals
- Screw-to-adjust Pedestals are easy to install and ensure perfectly level decks
- Meets Los Angeles Building Code Requirements (LARR #26041) with the following surface materials:
  - Bison Ipê Wood Tiles
  - Bison 2CM Paver and Paver Tray System
  - Concrete Pavers
- Meets the following testing criteria:
  - UL 94: V-0 Rating (Self-Extinguishing)
  - ASTM D635: Meets IBC (CC1 Rating) and FBC (C-1 Rating) Code Classes
  - ASTM D1929: Self-Ignition exceeds requirement ( $\geq 650^{\circ}\text{F}$ )
- Wind and Seismic testing available
- Made in the U.S.A.

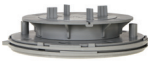





Photographer: Alain Jaramillo.  
©2020 United Construction Products, Inc. All Rights Reserved.  
Covered by one or more patents or pending patents.

# Specifications

- Supports 1250 lbs (567 kg) FoS:3 per Pedestal
- Select 1/8 or 3/16 inch (3.2 or 4.5 mm) tab size for Pedestals
- Integrated base levelers accommodate 0 to 1/2 inch per foot slope (0-4%)
- Adjustable system height range is 2-1/4 to 36 inches (57 to 914 mm)
- Bison Brace System required for 24 to 36 inches (610 to 914 mm)
- Accessories available for heights from 1/8 to 2-1/4 inches (3.2 to 57 mm)
- Pedestals made of 20% Talc Filled FR Polypropylene Homopolymer (Bison #B-PP-FR)
- Impervious to water, mold, and freeze/thaw cycles
- Made in the U.S.A.

PEDESTALS

	Model No.	Description	Height Range	Notes
	V1-18-FR V1-316-FR	Fire Retardant Adjustable Pedestal	2-1/4" to 2-3/4" (57 to 70 mm)	Select 1/8 or 3/16 inch (3.2 or 4.5 mm) tab size
	V2-18-FR V2-316-FR	Fire Retardant Adjustable Pedestal	2-3/4" to 3-3/4" (70 to 95 mm)	Select 1/8 or 3/16 inch (3.2 or 4.5 mm) tab size
	V3-18-FR V3-316-FR	Fire Retardant Adjustable Pedestal	3-3/4" to 5-3/4" (95 to 146 mm)	Select 1/8 or 3/16 inch (3.2 or 4.5 mm) tab size
	V4-18-FR V4-316-FR	Fire Retardant Adjustable Pedestal	5-3/4" to 9" (146 to 229 mm)	Select 1/8 or 3/16 inch (3.2 or 4.5 mm) tab size
	VC2-FR	Fire Retardant Quick Clip Coupler	Adds up to 4" (102 mm) each	For use with Model V4 only
	VT18-FR VT316-FR	Fire Retardant Ultra Low Height Pedestal	1/8" (3.2 mm)	Select 1/8 or 3/16 inch (3.2 or 4.5 mm) tab size

ACCESSORIES

	HD25-018-FR HD25-316-FR	Fire Retardant Fixed Height Stackable Pedestals	1/4" (6 mm)	Select 1/8 or 3/16 inch (3.2 or 4.5 mm) tab size Stack up to 4
	HD50-18-FR HD50-316-FR	Fire Retardant Fixed Height Stackable Pedestals	1/2" (13 mm)	Select 1/8 or 3/16 inch (3.2 or 4.5 mm) tab size Stack up to 4
	HD75-18-FR HD75-316-FR	Fire Retardant Fixed Height Stackable Pedestals	3/4" (19 mm)	Select 1/8 or 3/16 inch (3.2 or 4.5 mm) tab size Stack up to 4
	LO-18-FR LO-316-FR	Fire Retardant Low Height Adjustable Pedestal	1-1/4" to 2" (32 to 51 mm)	Select 1/8 or 3/16 inch (3.2 or 4.5 mm) tab size Supports 1000 lbs (453 kg) FoS:3 per Pedestal
	LD4-FR	Fire Retardant Base Leveler	Adds 1/4" (6 mm) to Pedestal height Compensates for 1/4" per foot (2%) slope compensation	Stack up to 2 additional below base of Pedestal

